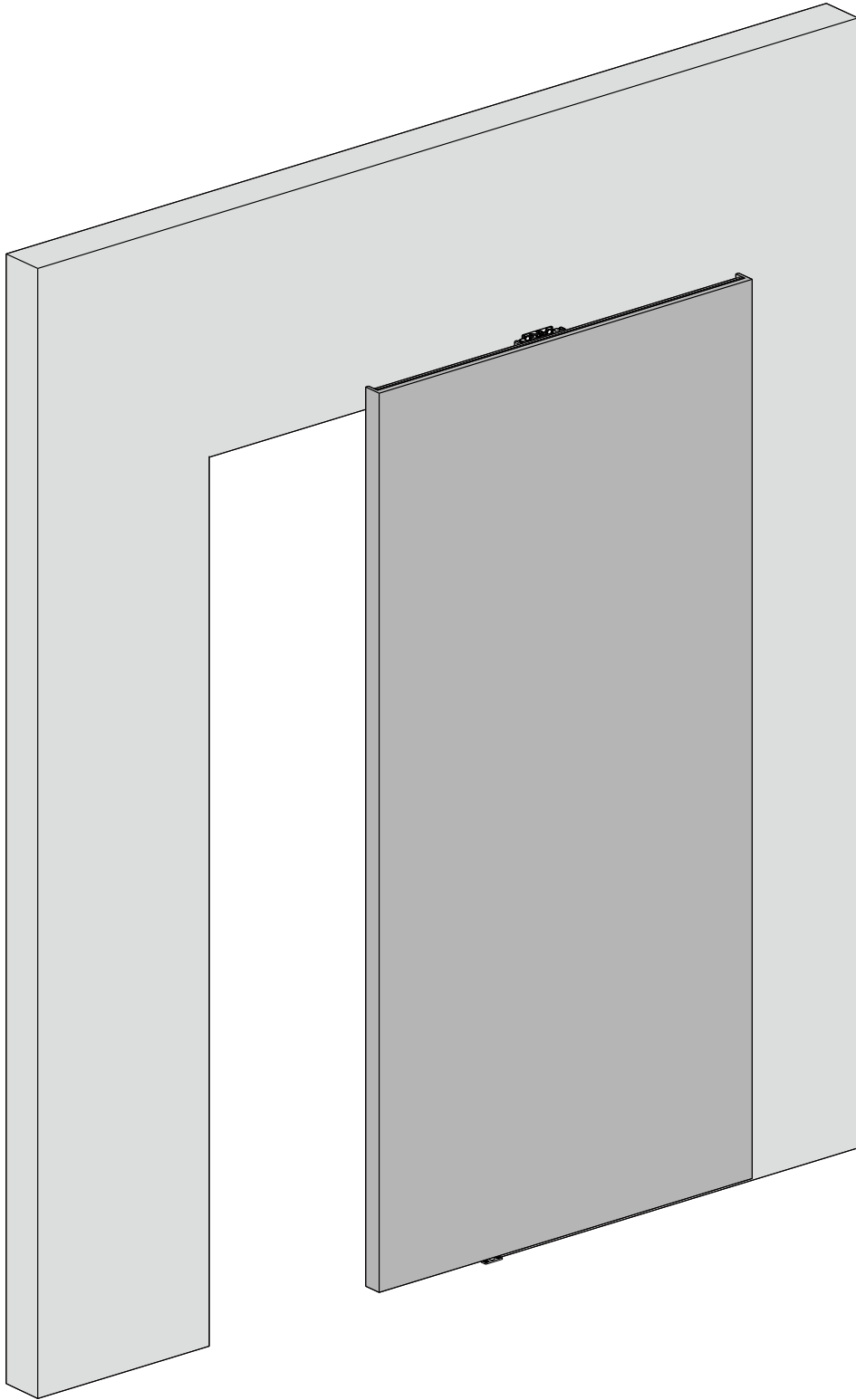
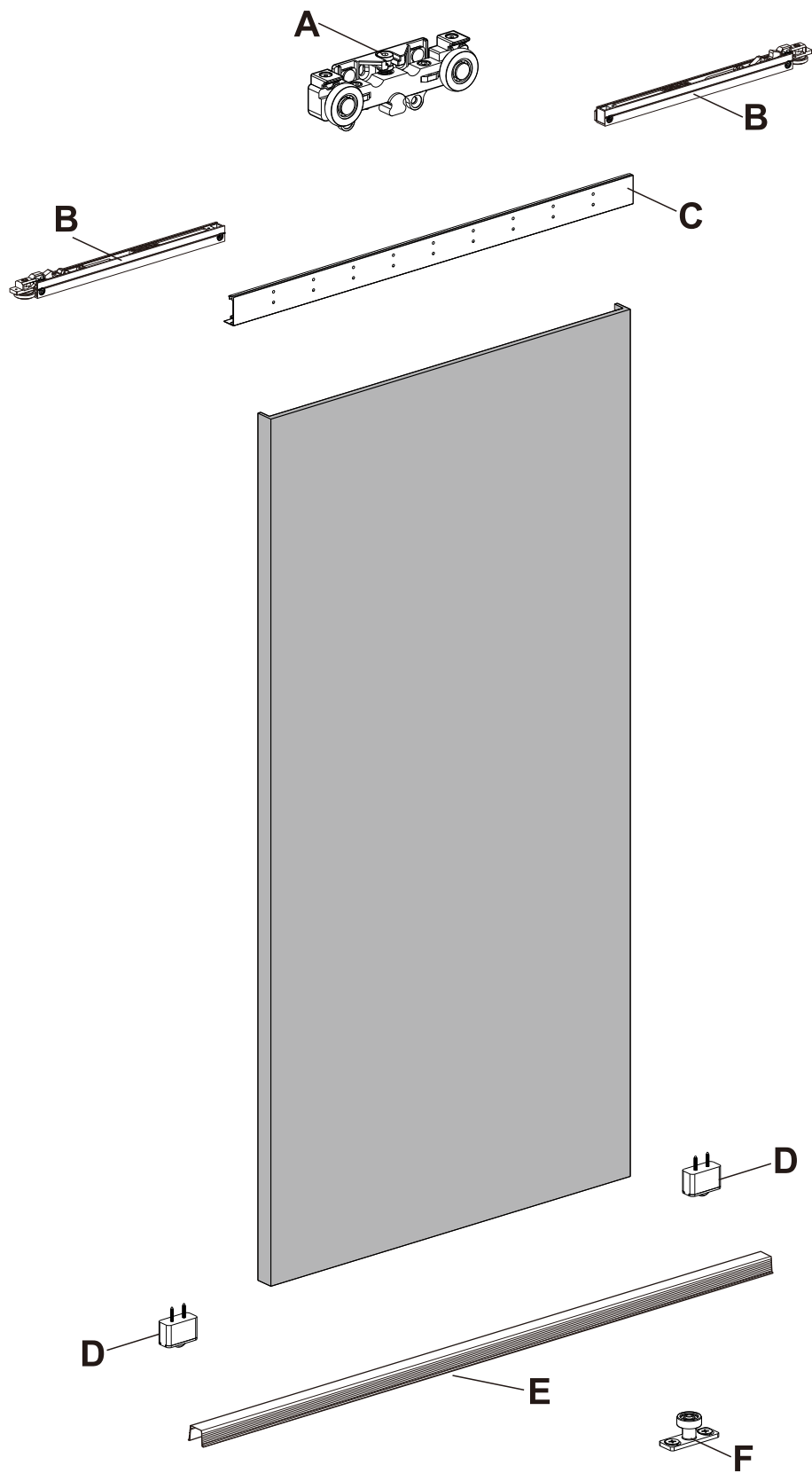


# Installation Manual

---

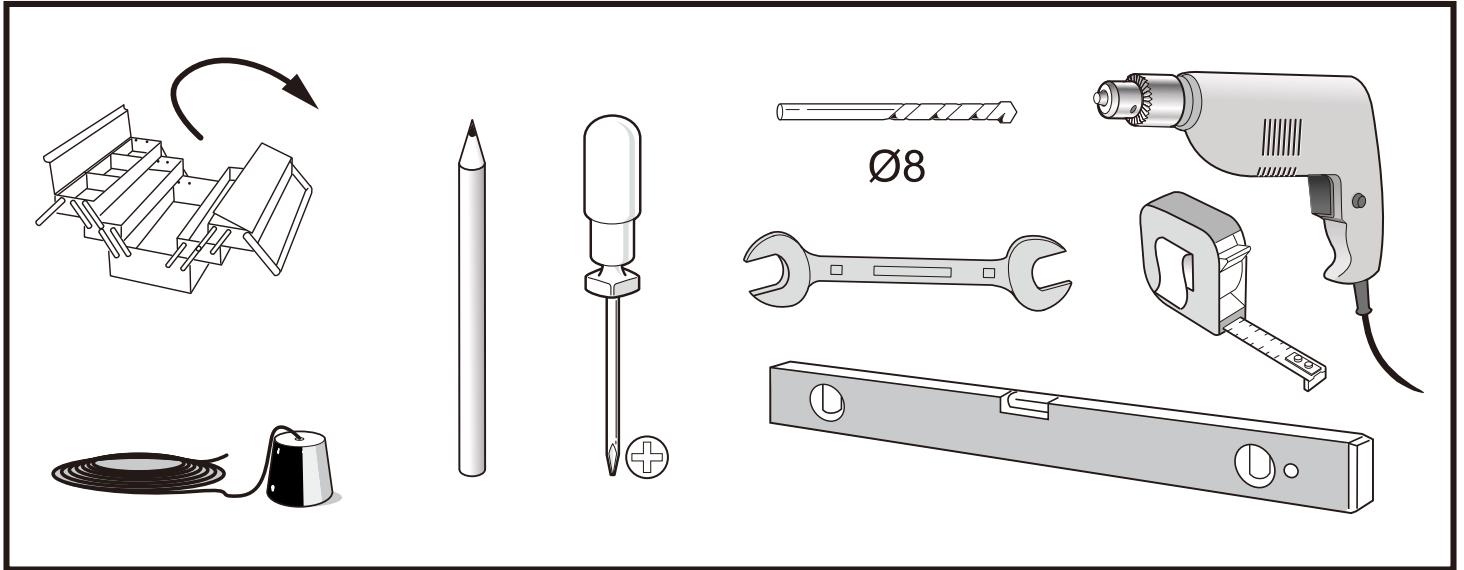


# Components list

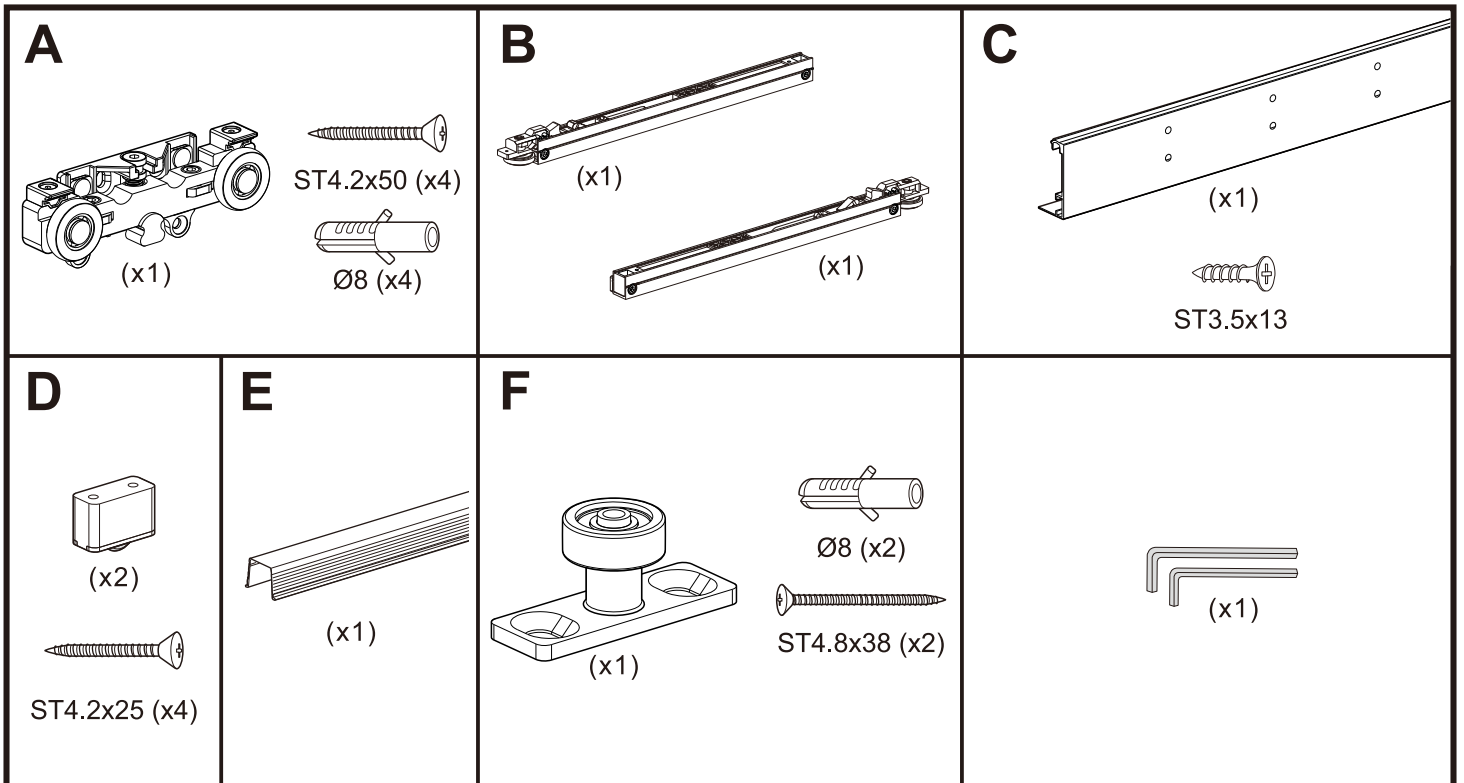


# Pre-installation

## TOOLS REQUIRED

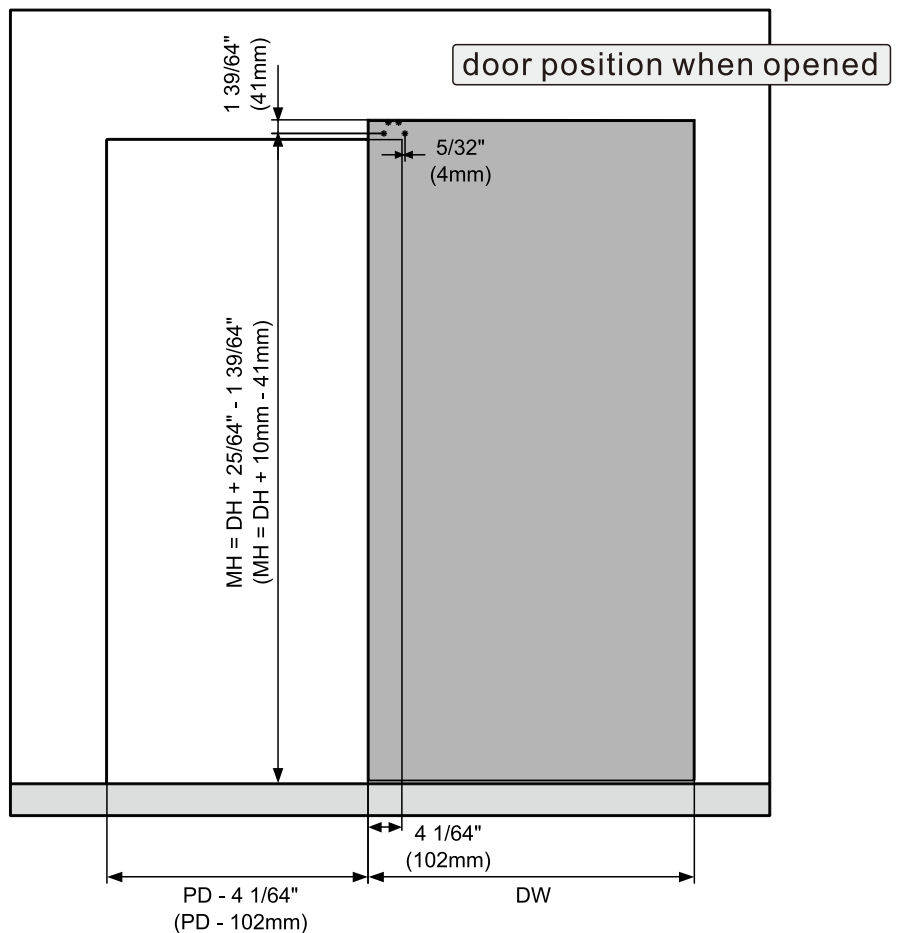
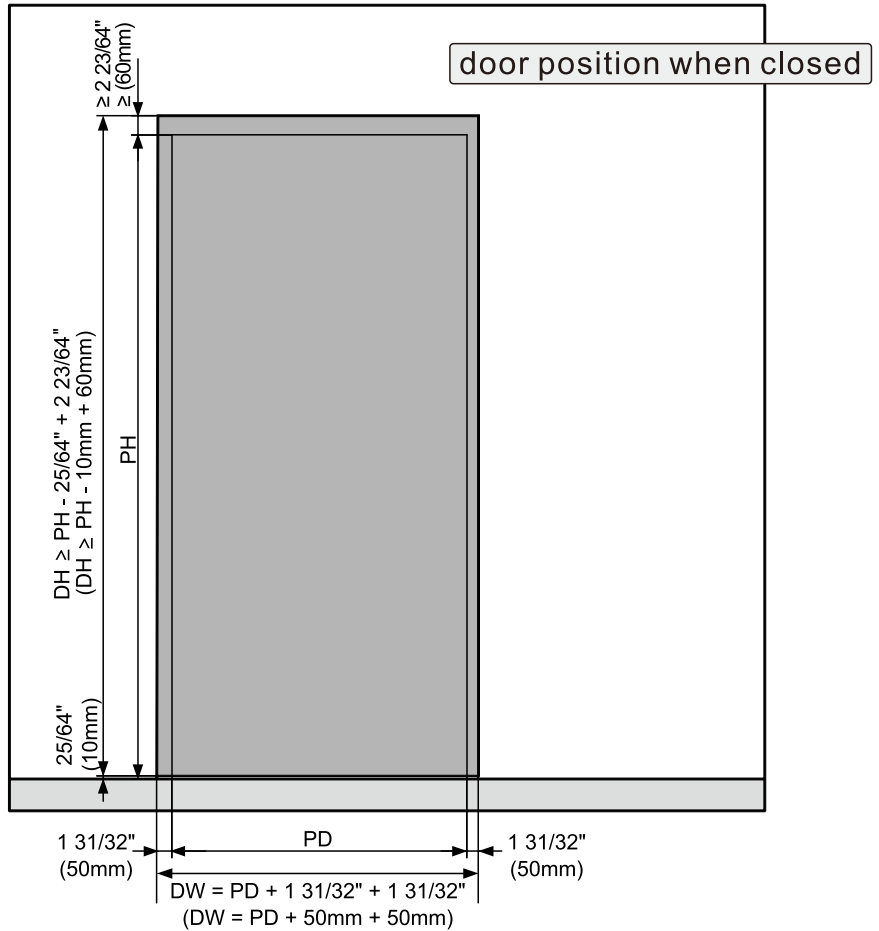


## HARDWARE INCLUDED



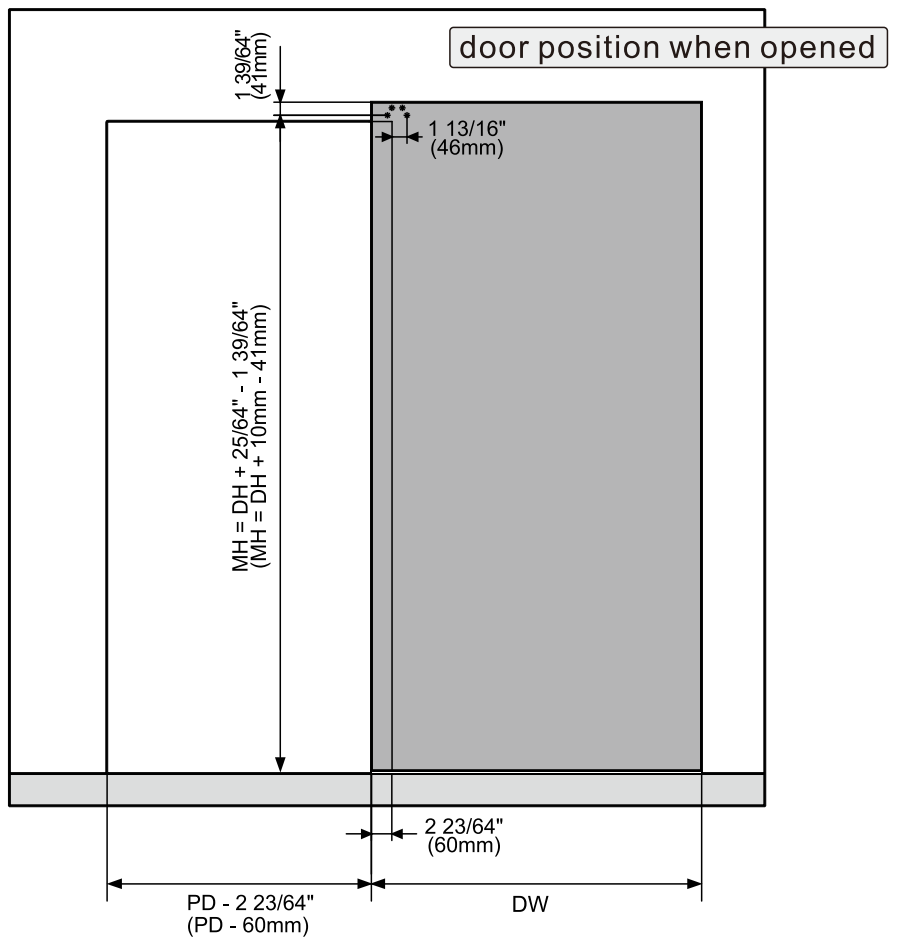
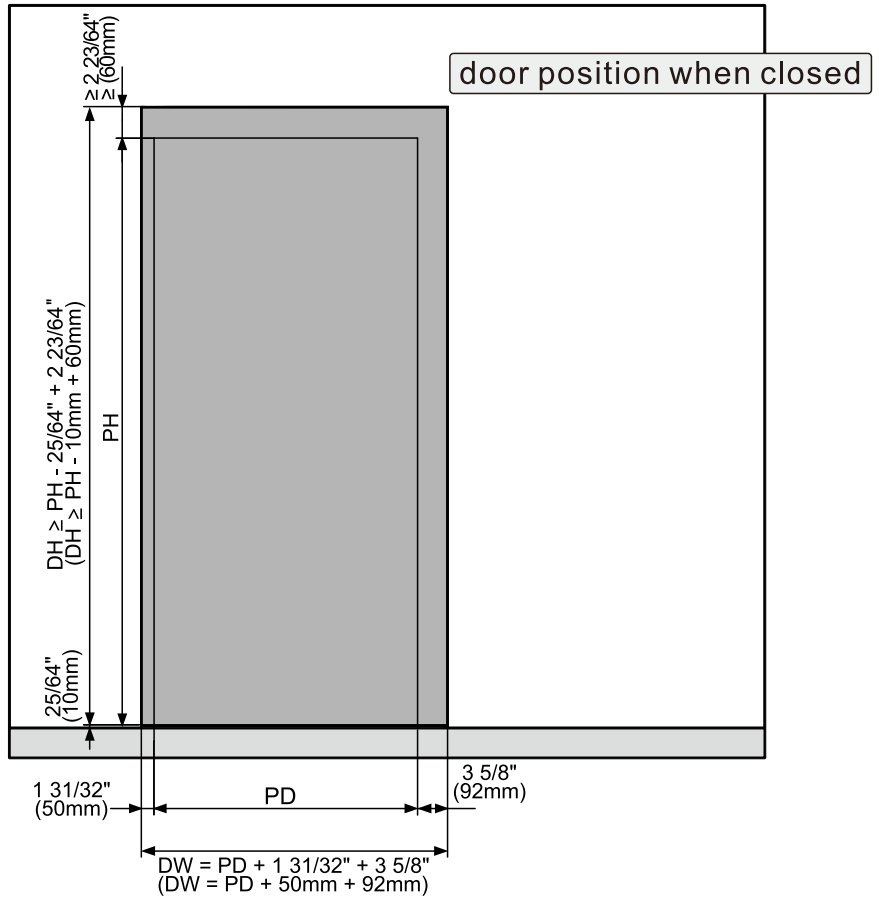
# Door preparation.a

DW	Door Width
PD	Passage Width
DH	Door Height
PH	Passage Height
MH	Hanger Positioning



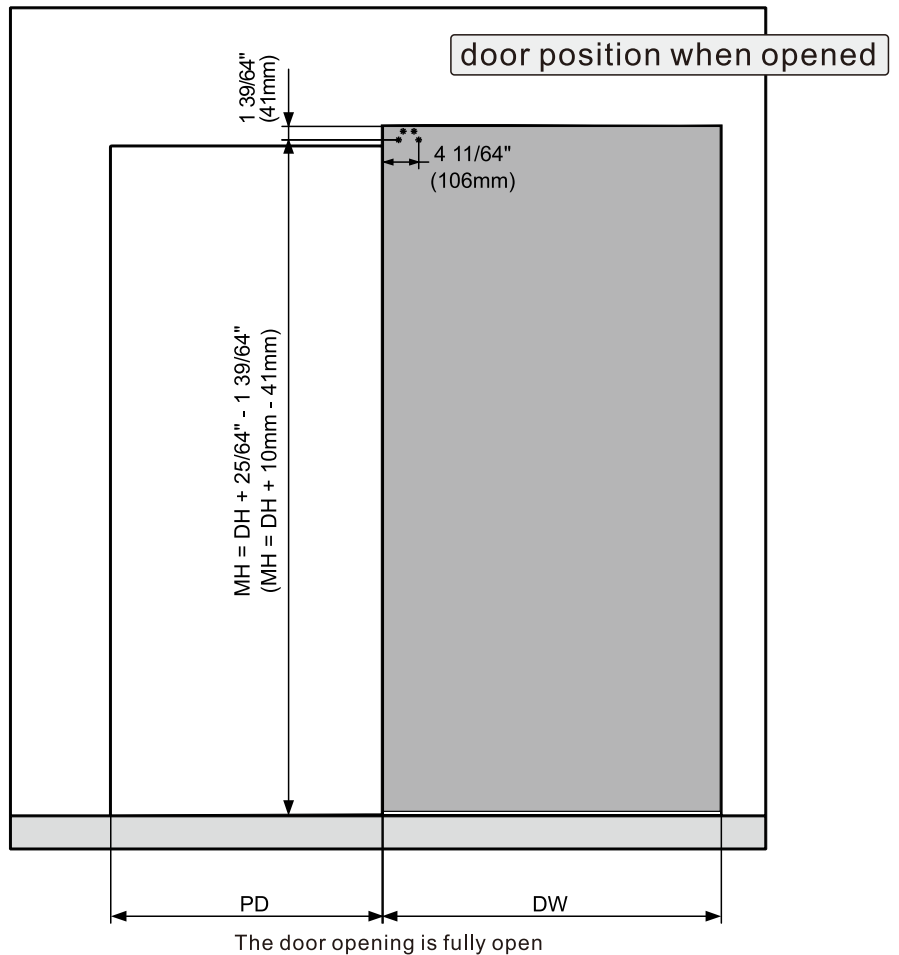
# Door preparation.b

DW	Door Width
PD	Passage Width
DH	Door Height
PH	Passage Height
MH	Hanger Positioning

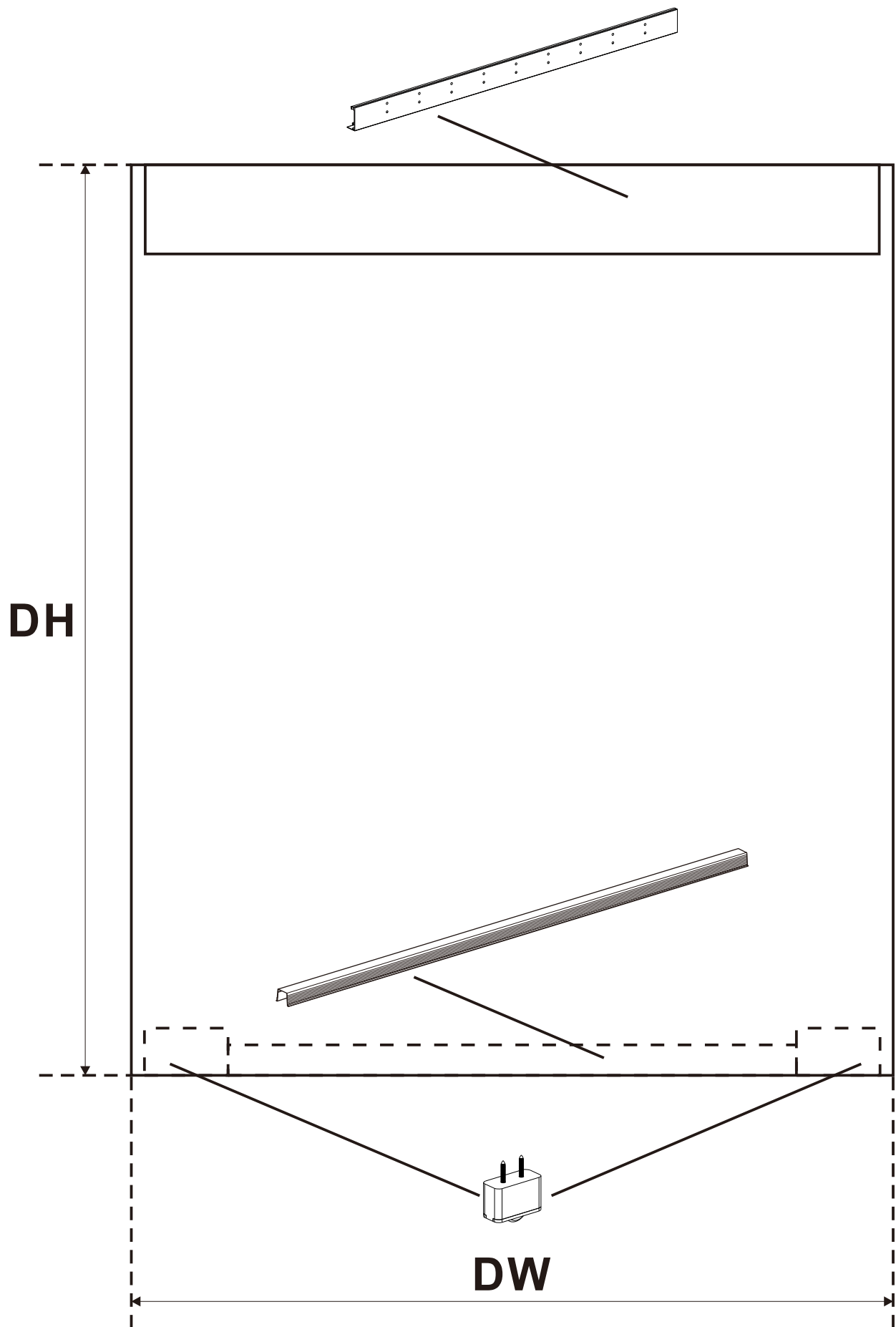


# Door preparation.c

DW	Door Width
PD	Passage Width
DH	Door Height
PH	Passage Height
MH	Hanger Positioning

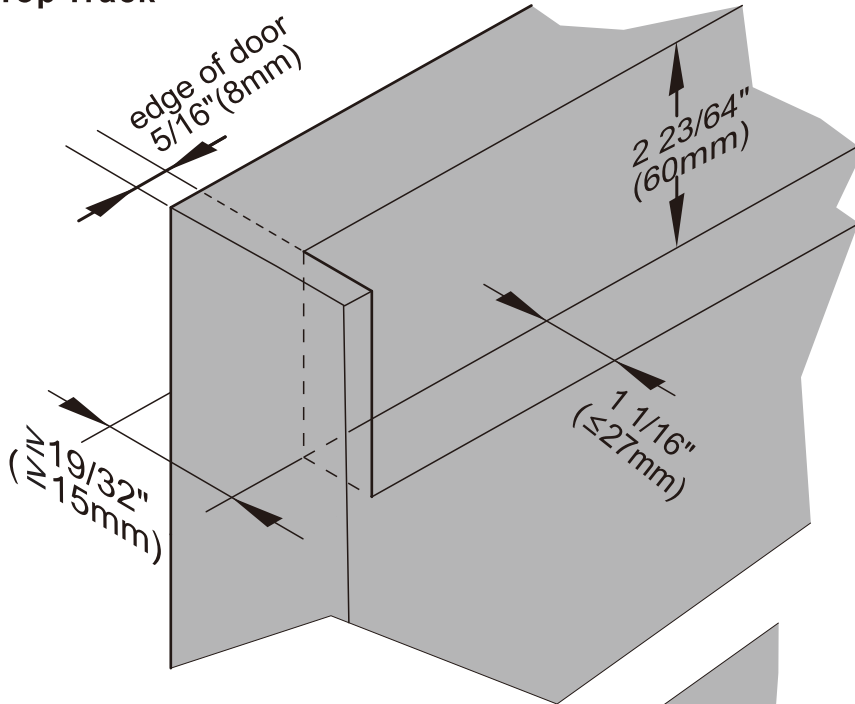


# Components position

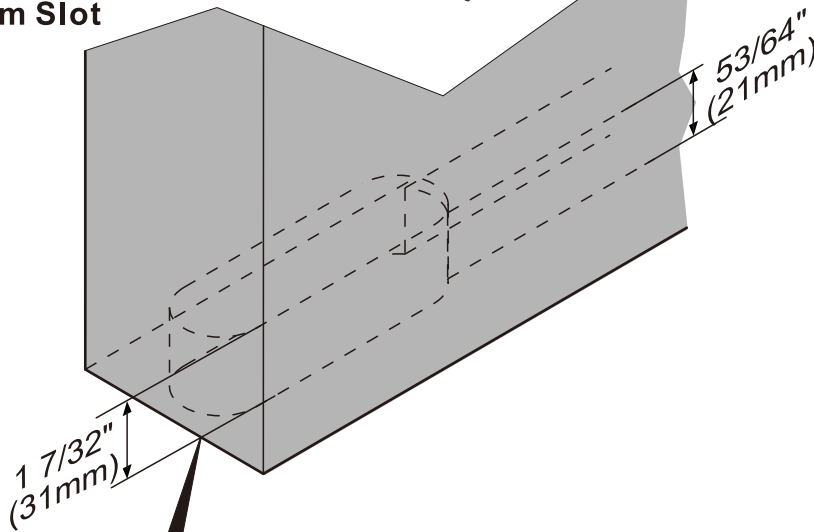


# Open top and bottom slots

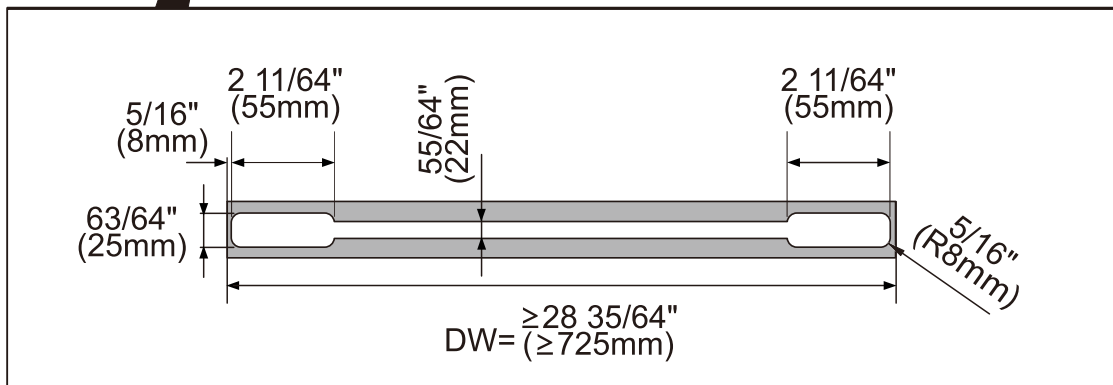
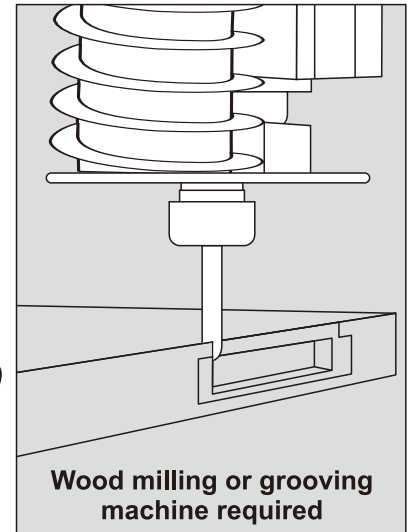
Top Track



Bottom Slot

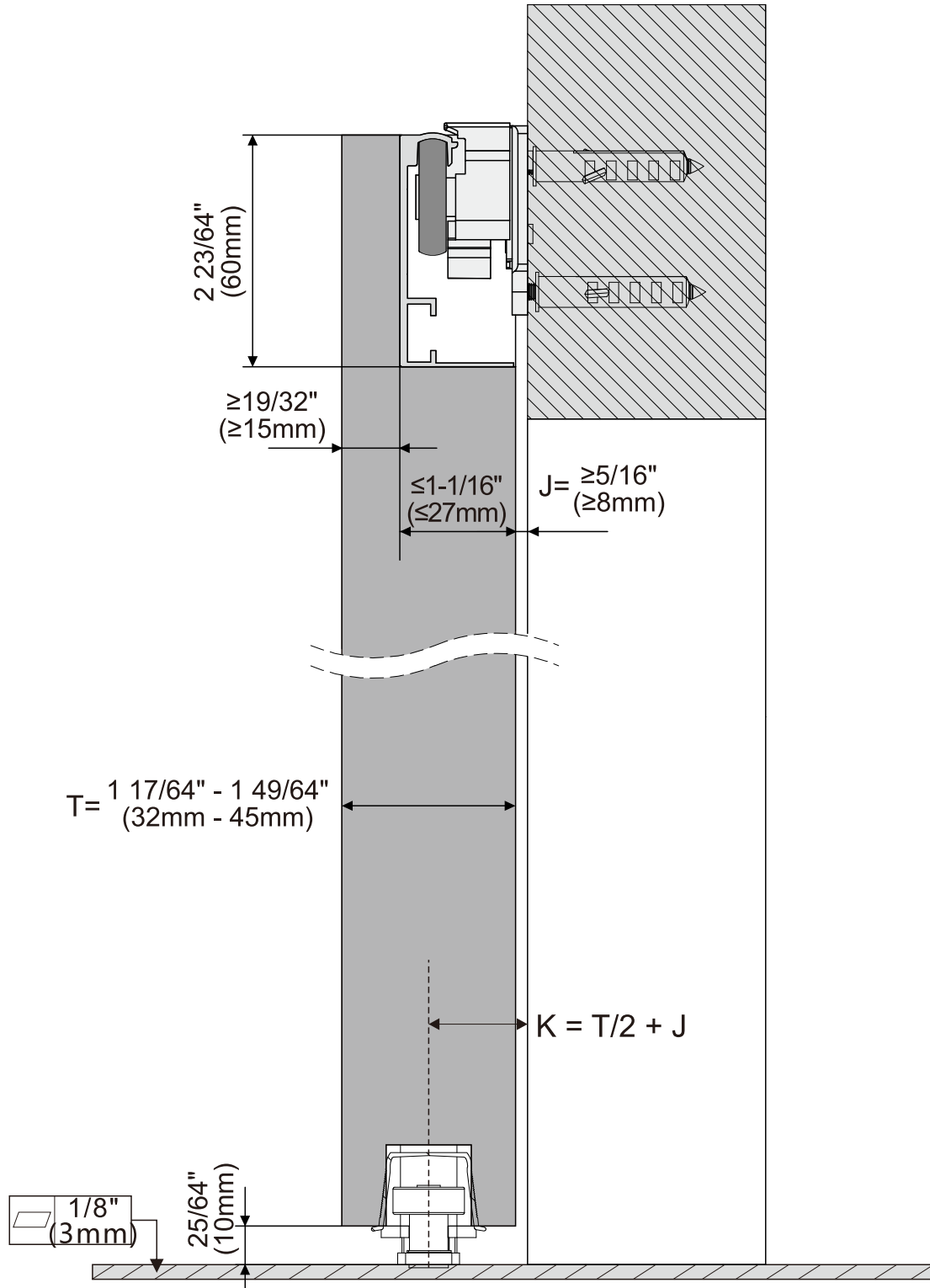


Tool



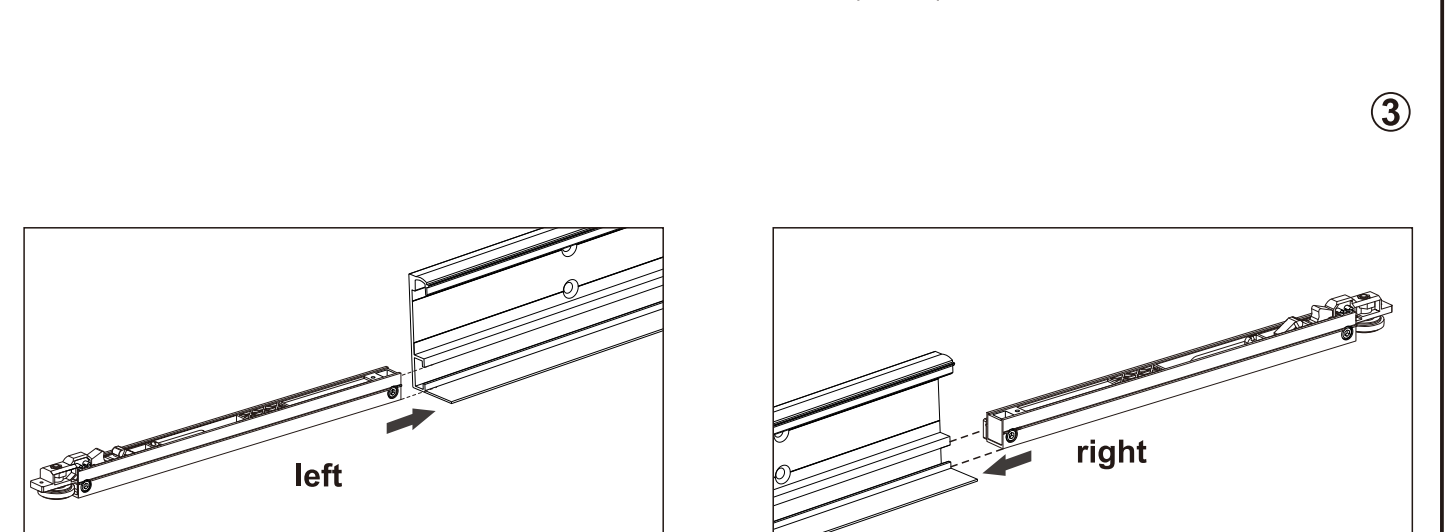
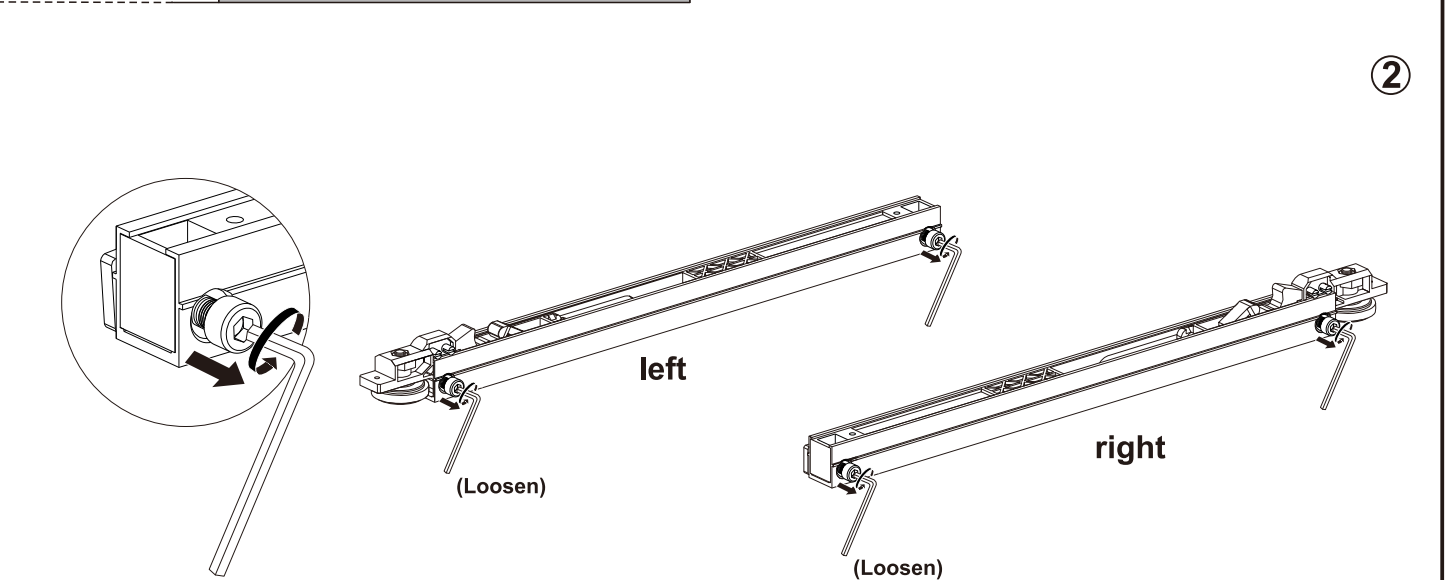
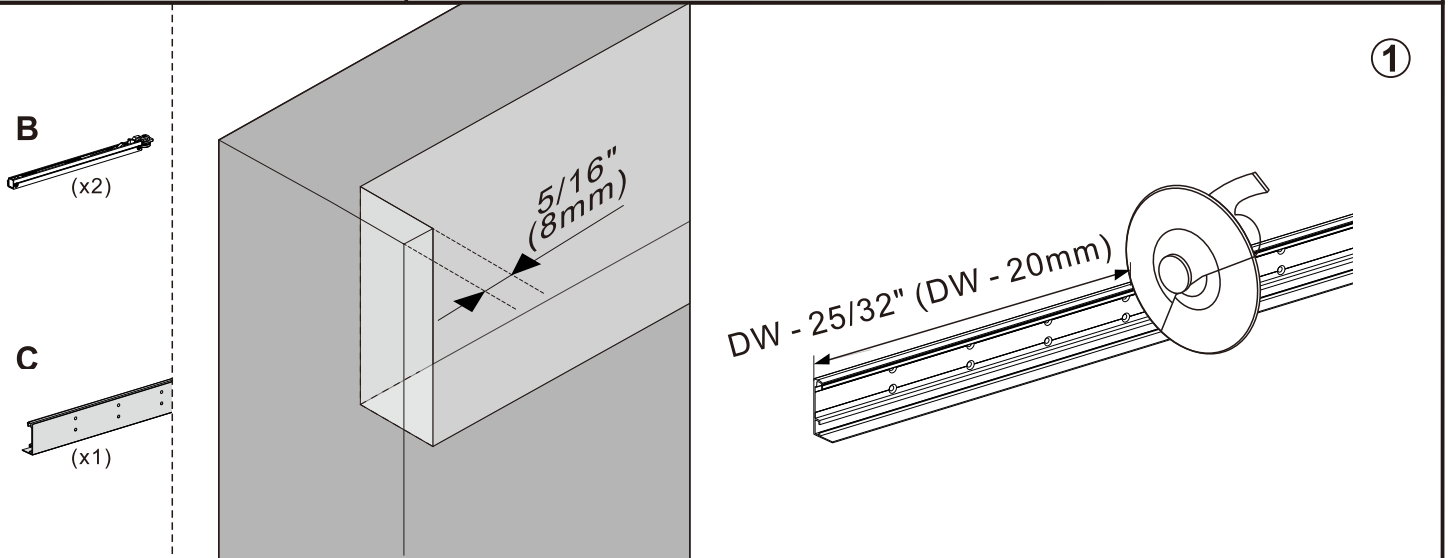


# Section drawing

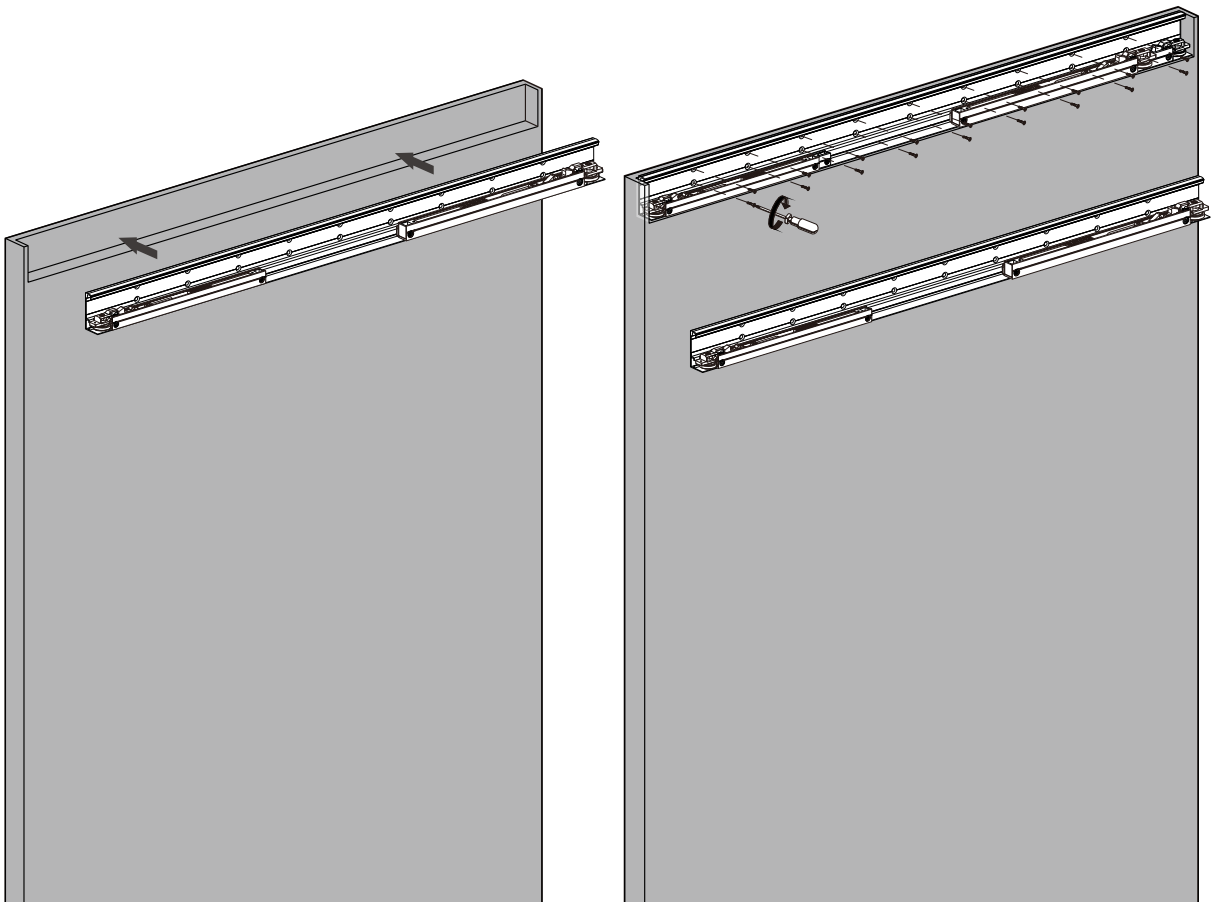
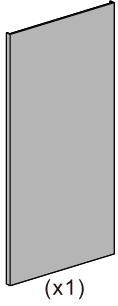
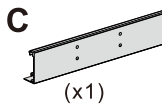


# Installation

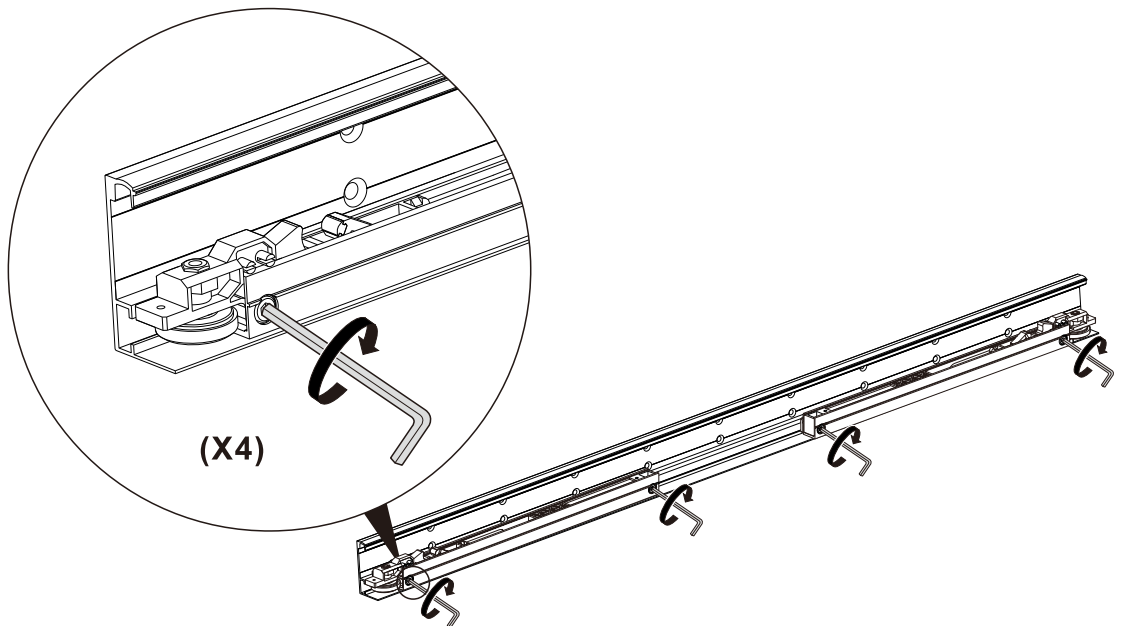
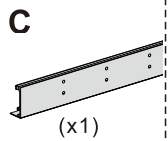
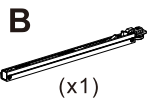
**1** Cut top track to length ( door width-20mm) and loosen the soft close screws and put both soft closes on both ends of top track.



## 2 Fasten top track onto the door slot.



## 3 Ensure soft close is even with either end of track and tighten soft close screws.



#### 4 Remove the wheel.

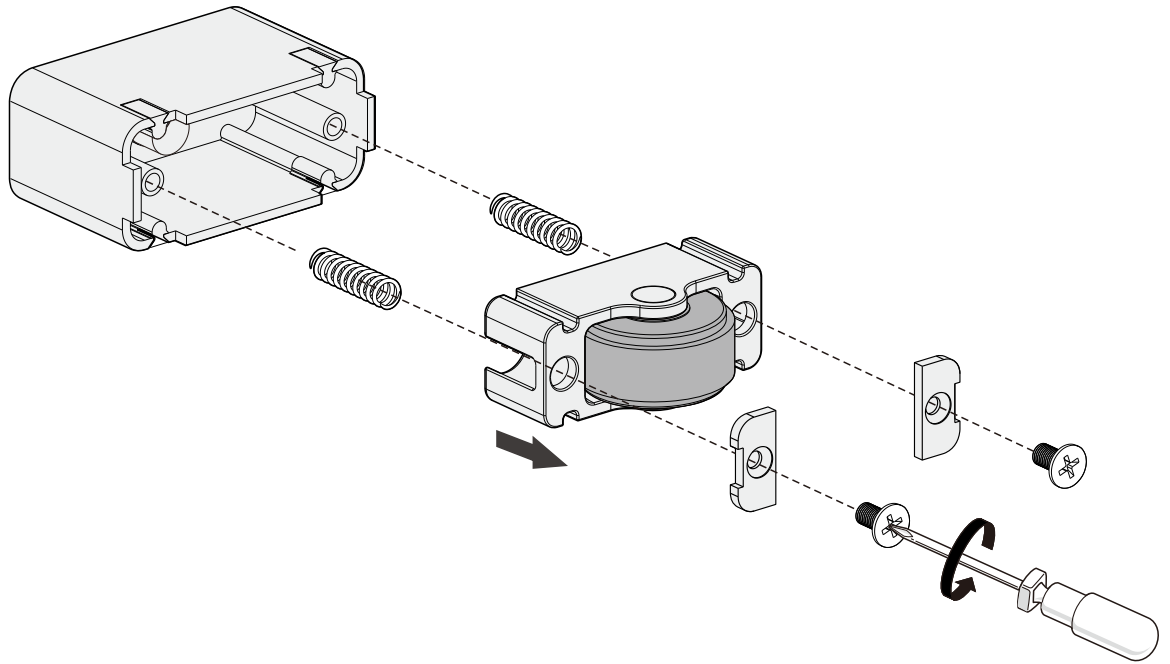
D



(x2)



ST4.2x25 (x4)



#### 5 Fasten the bottom wheel body first.

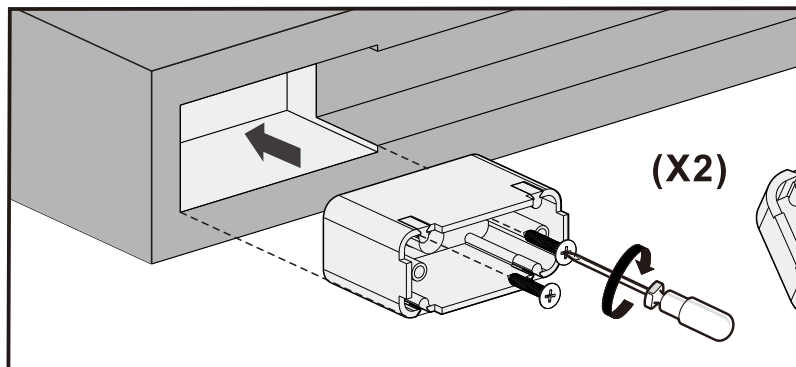
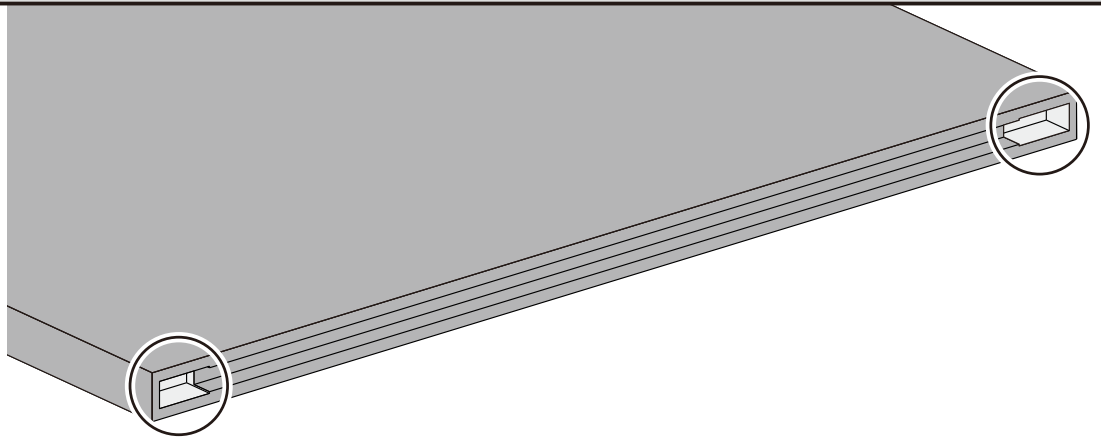
D



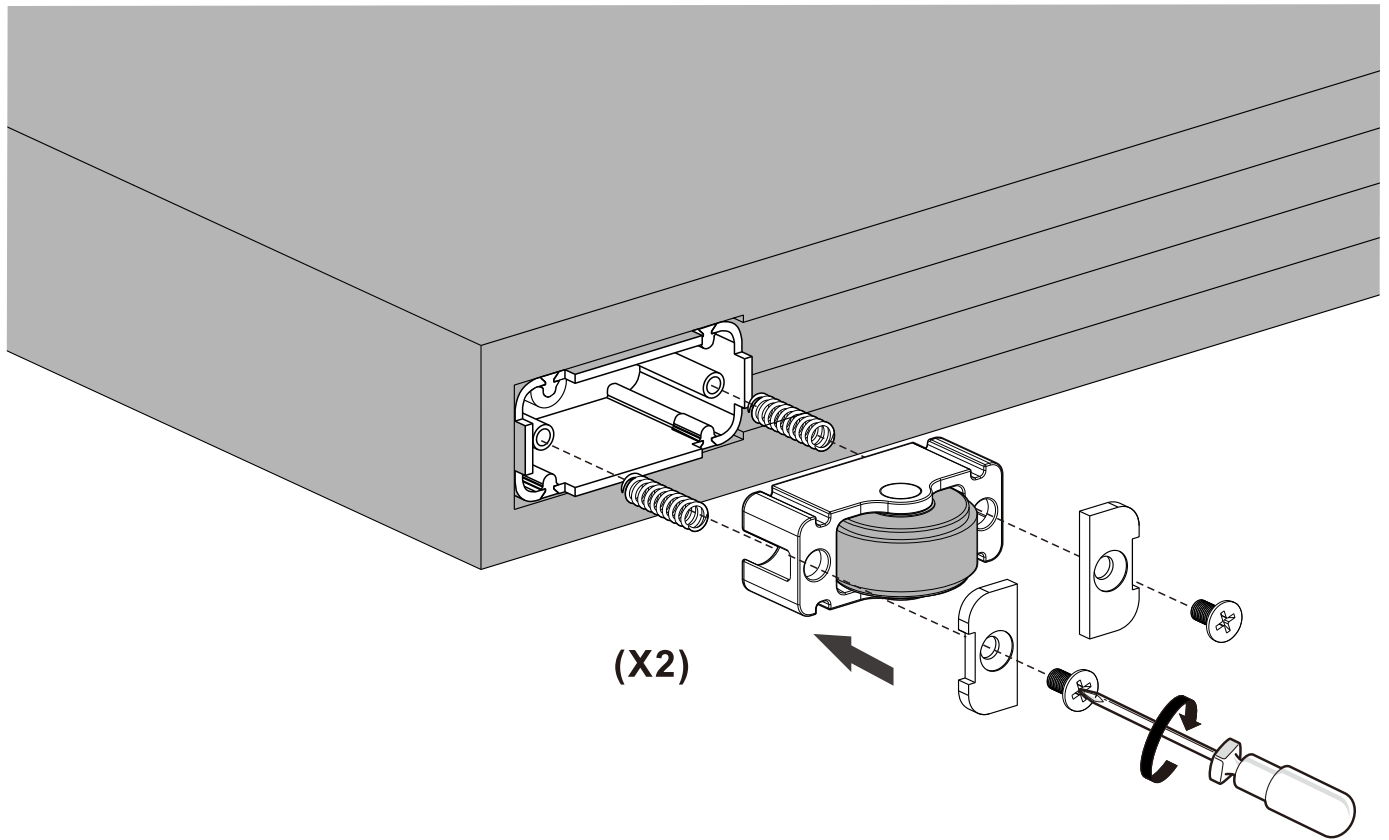
(x2)



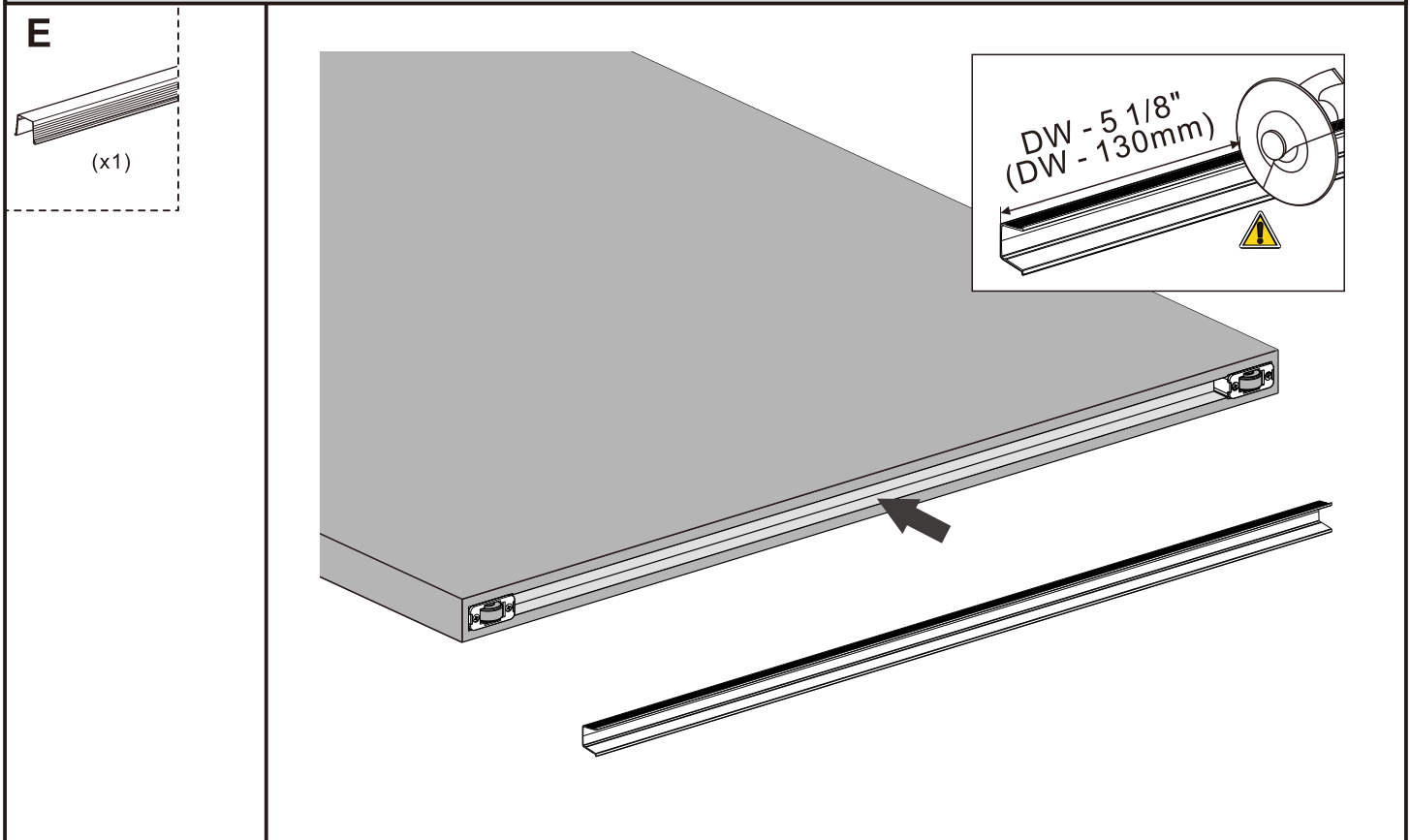
ST4.2x25 (x4)



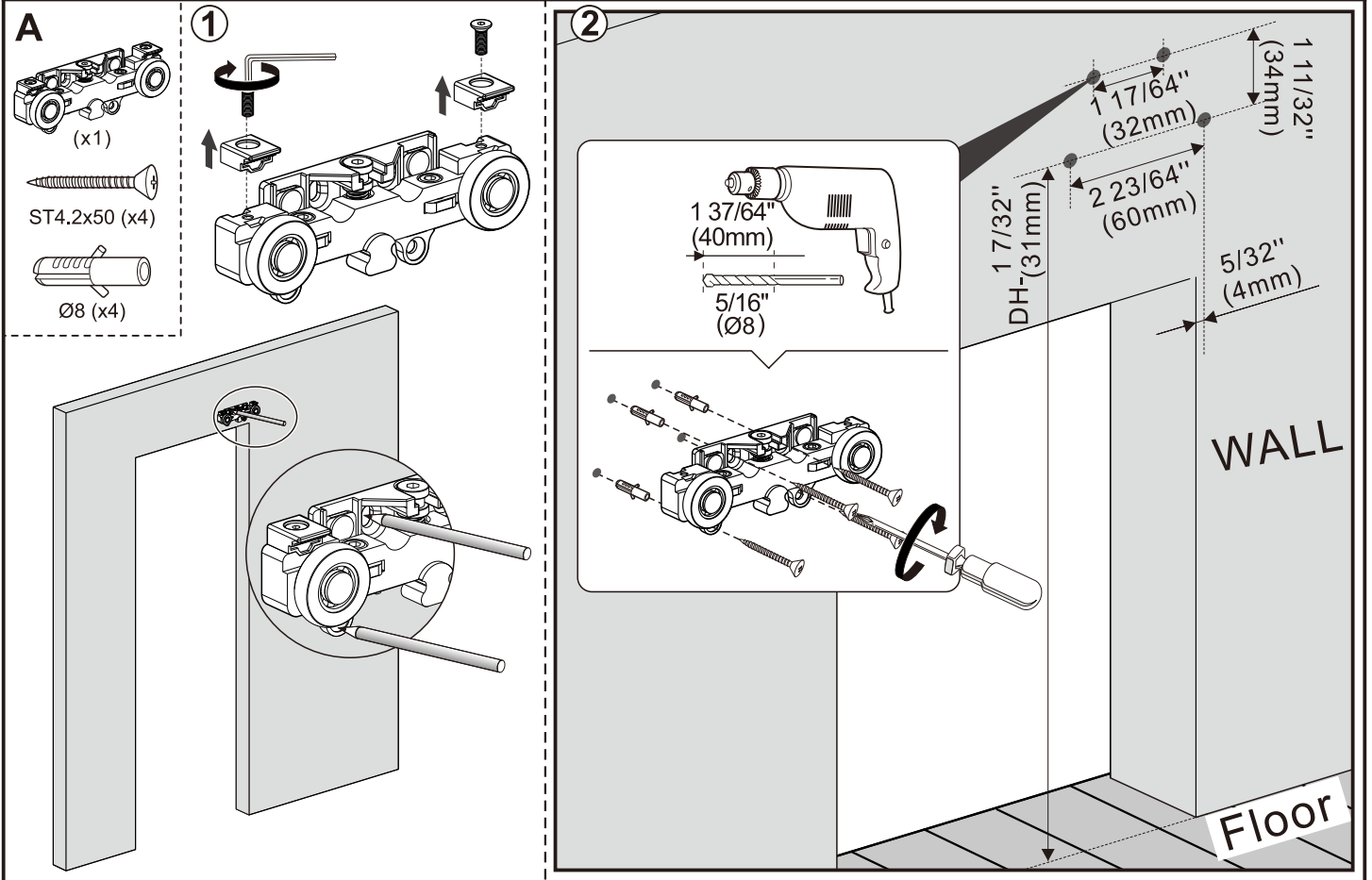
**6** Put the wheel part back in the body.



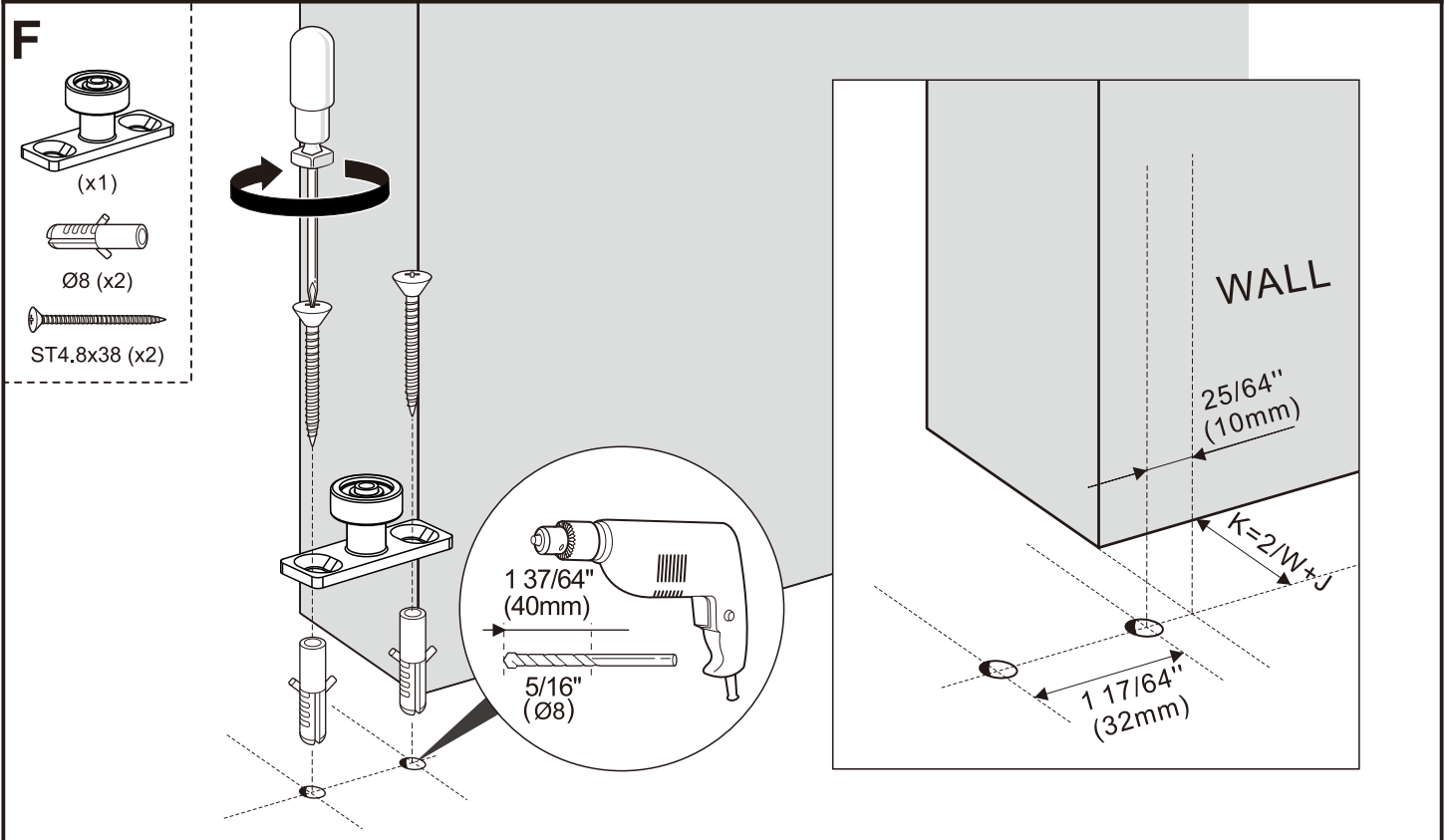
**7** Cut bottom track to length (door width-130mm) and put the bottom track inside the bottom slot.



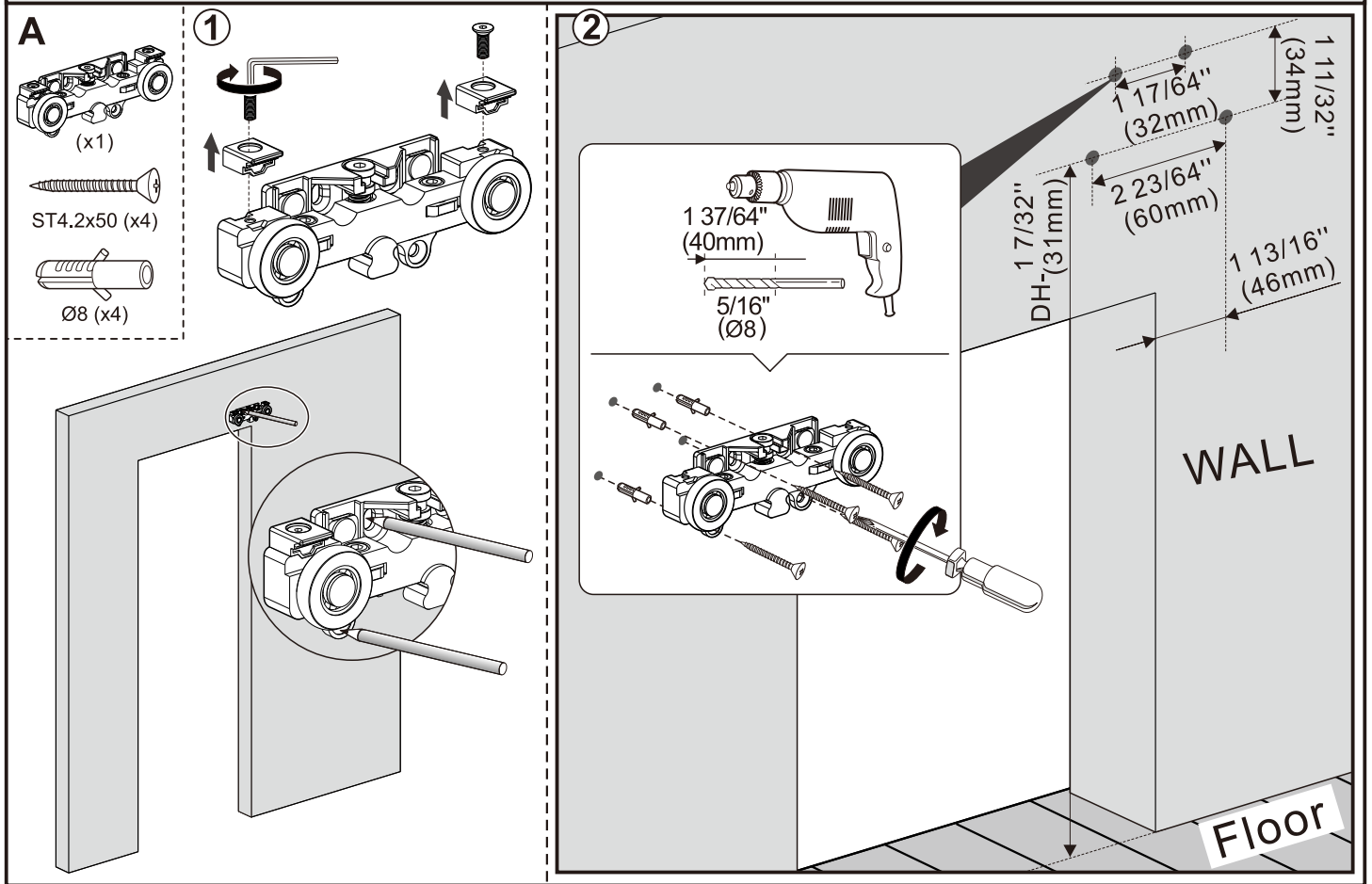
## 8a Remove anti-jump block of hanger first and mount hanger onto the wall.



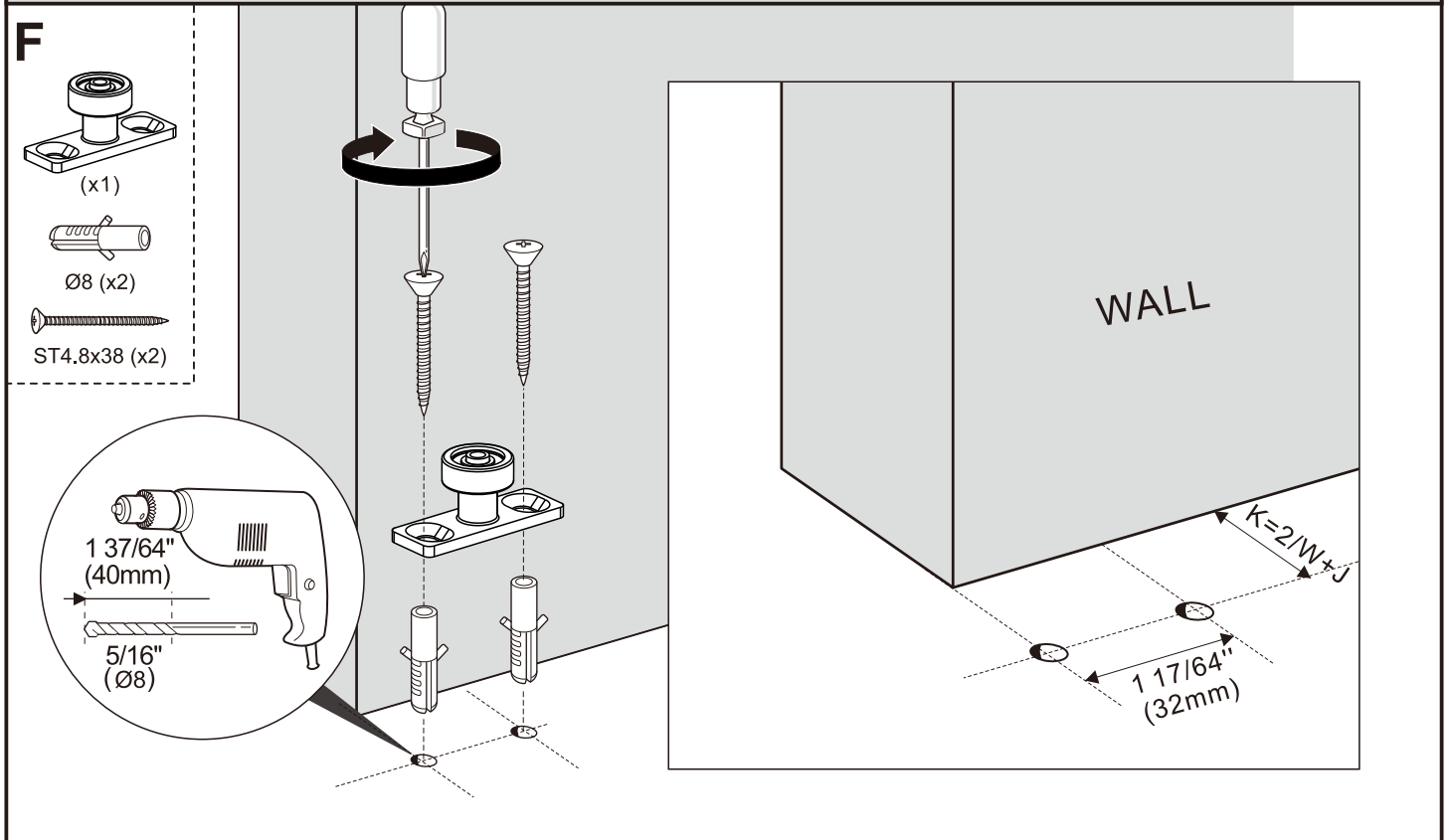
## 9a Mount floor guide.



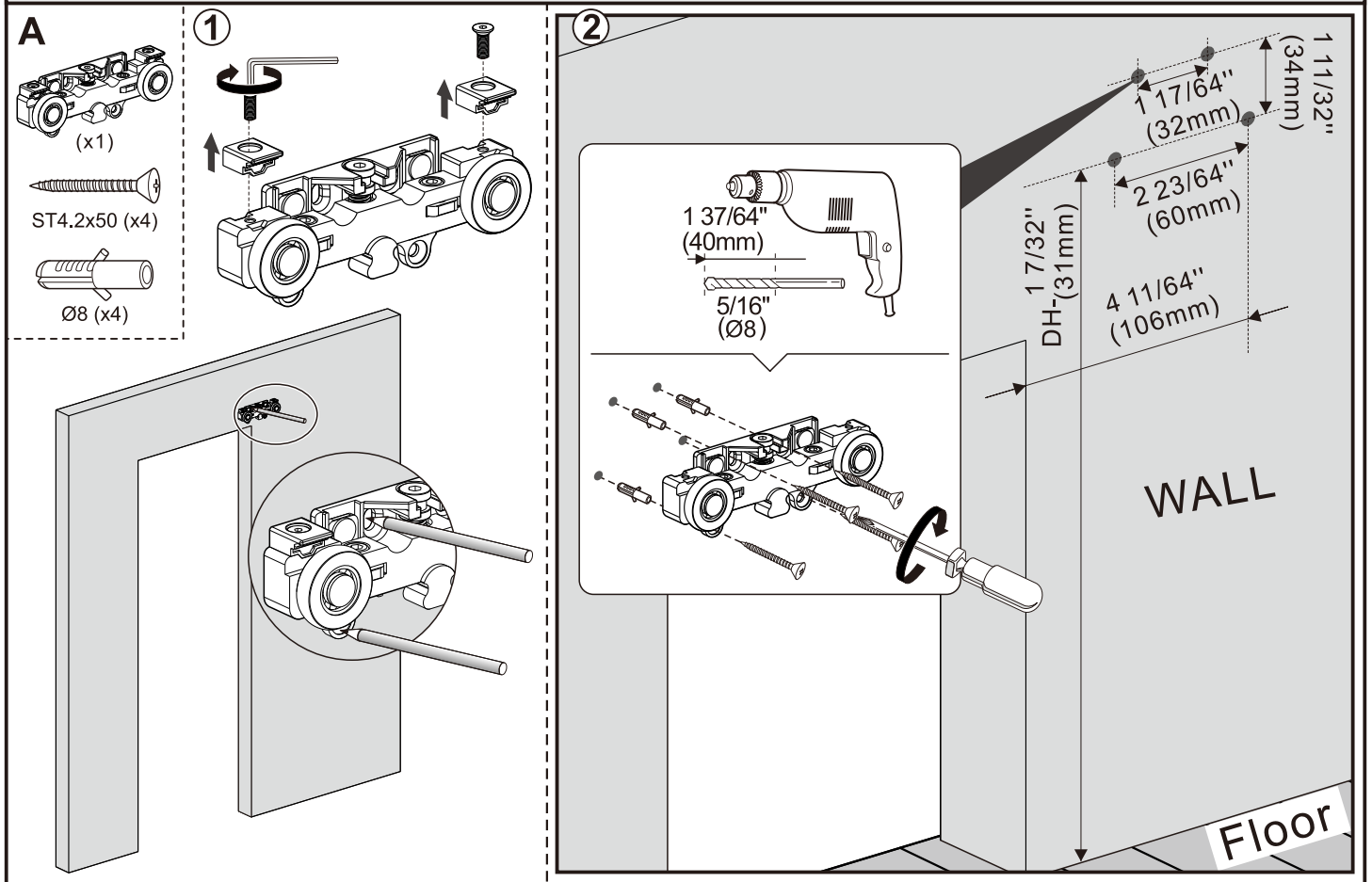
## 8b Remove anti-jump block of hanger first and mount hanger onto the wall.



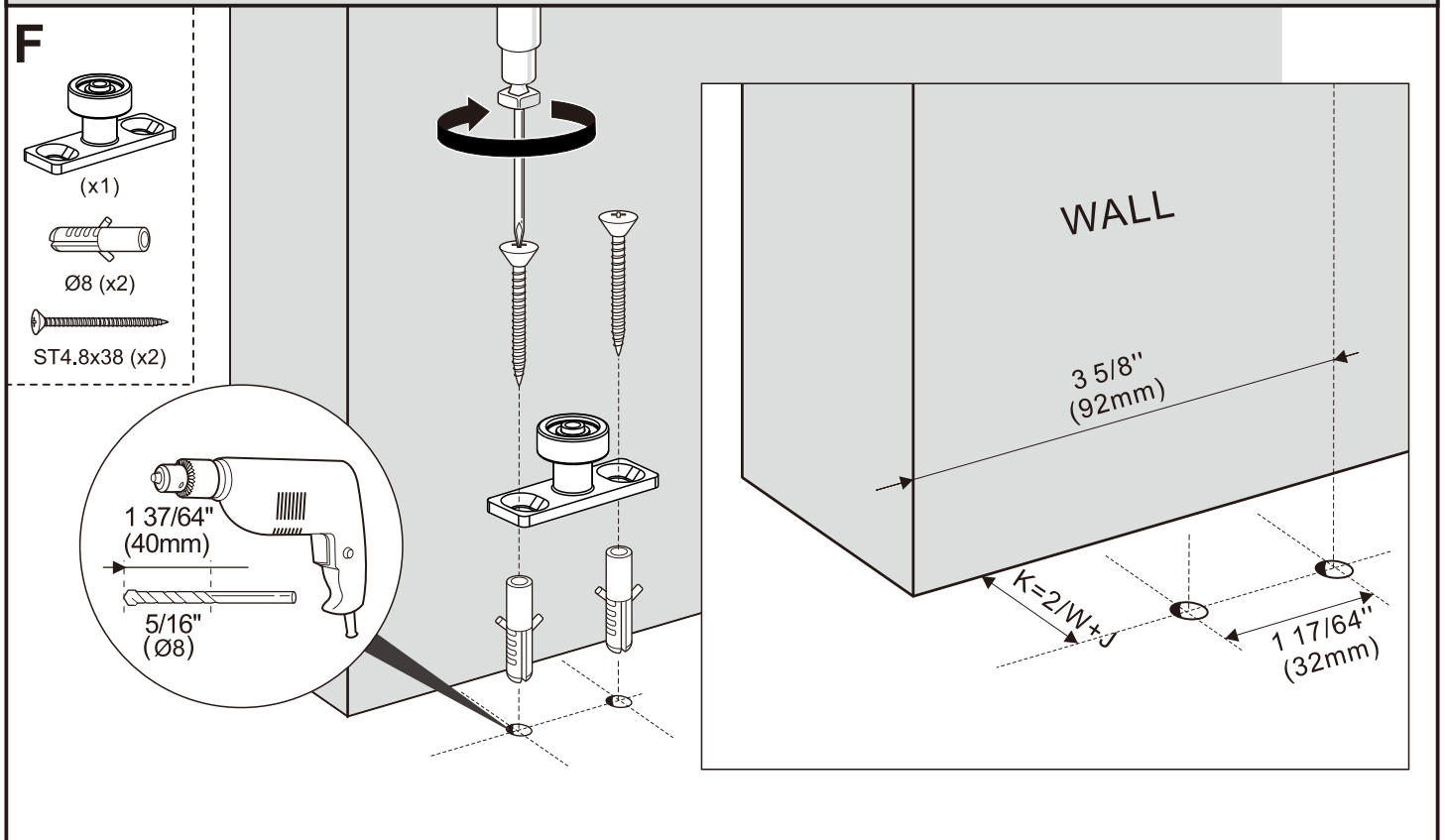
## 9b Mount floor guide.



## 8c Remove anti-jump block of hanger first and mount hanger onto the wall.

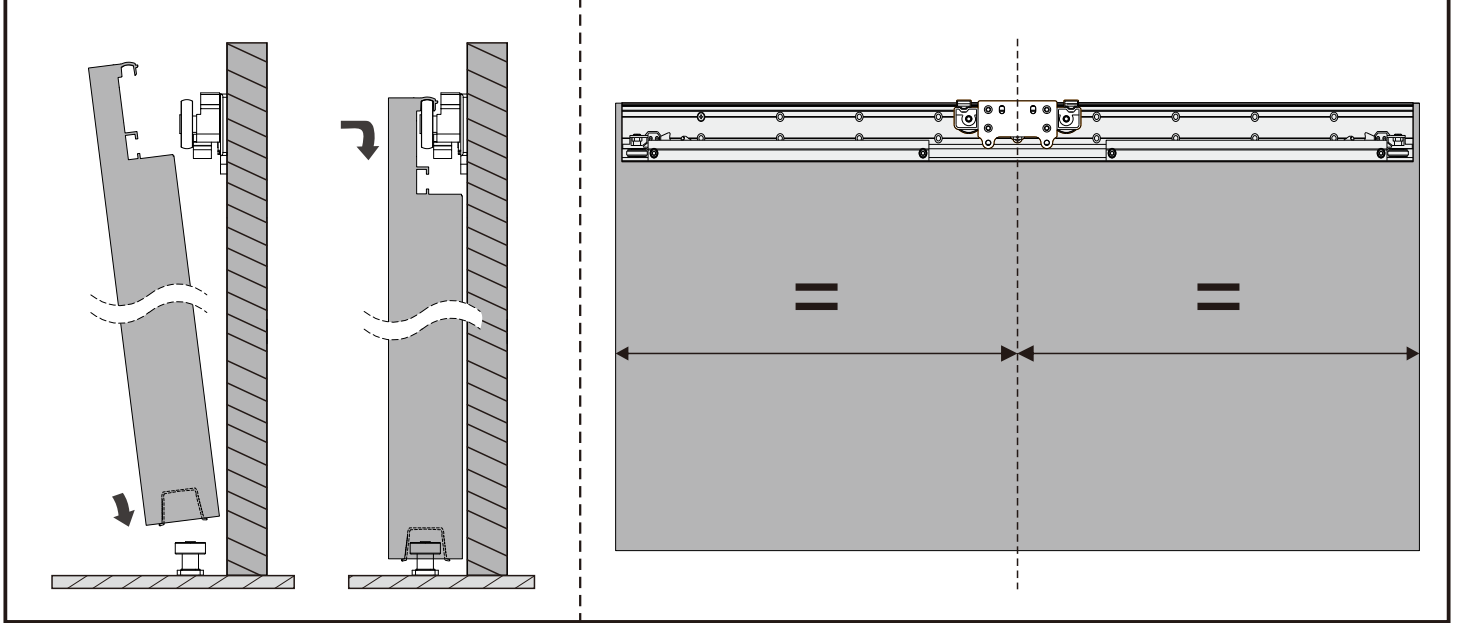


## 9c Mount floor guide.

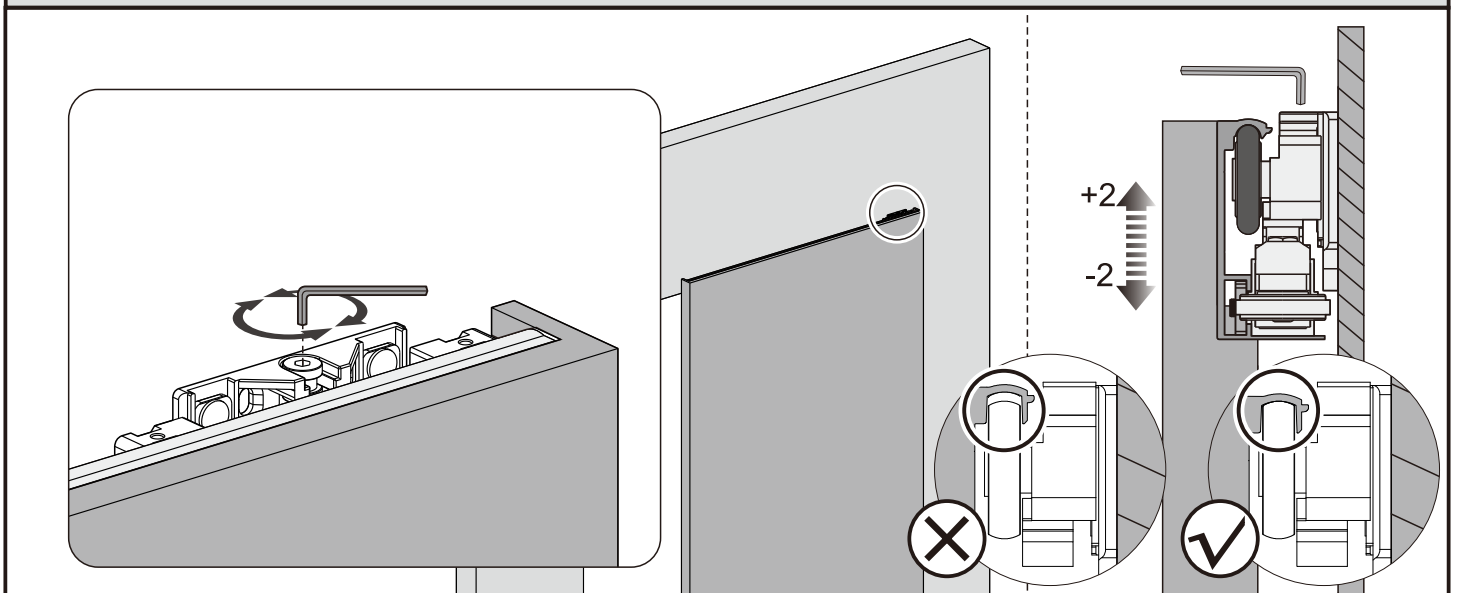




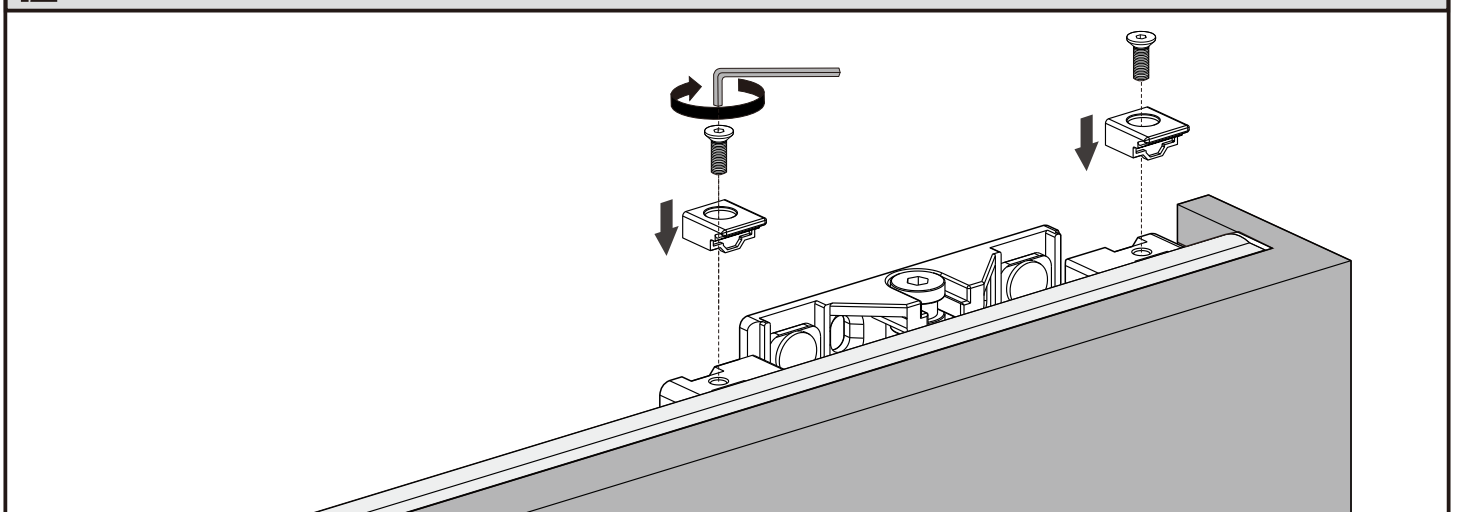
**10** Put the floor guide inside the slot and hang door panel on the hanger. (hanger in the middle of top track)



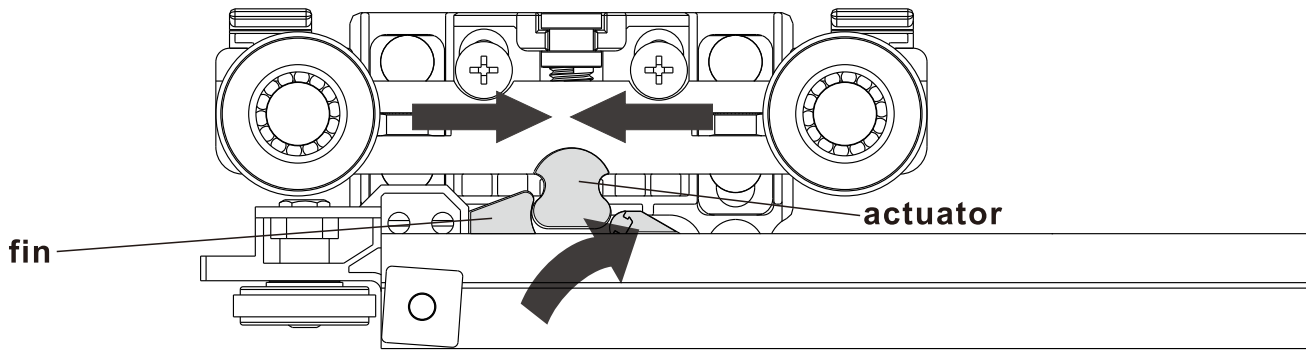
**11** Rotate the screw to adjust the height of the wheel for fitting the rail completely.



**12** Tighten the anti-jump block screws.



**13** Move the door both left and right to ensure actuator is in between the fins of soft close.



**14** Adjust the door to ensure it is parallel with wall.

